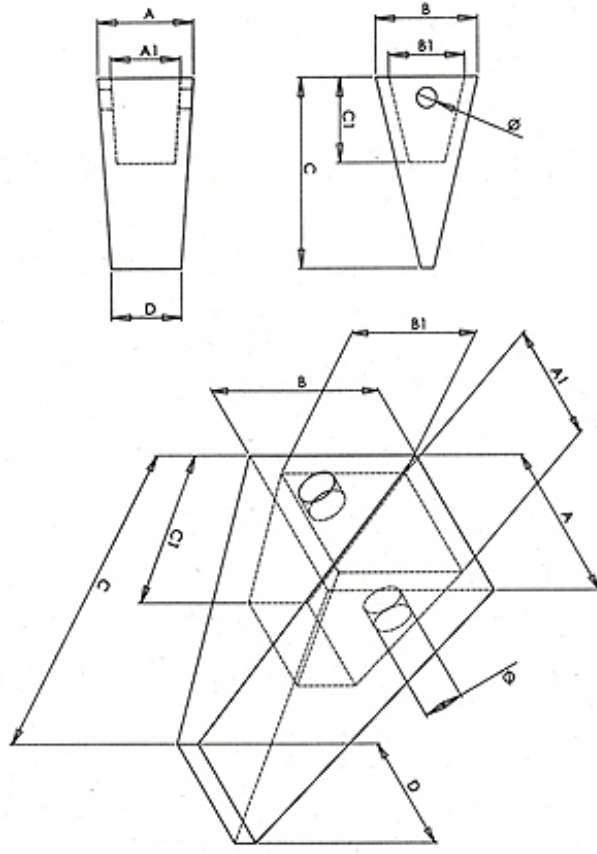







Drawing : Adapter(mm)



Drawing : Tooth (mm)

P/N	TYPE	Model	U/W KG	A /mm	B/mm	C/mm	D/mm	A1/mm	B1/mm	C1/mm	holes	Stock qty	Picture
531/03205 -1	Center Tooth	JCB 2CX/3CX	2.8	63	61	256					20.5		
531/03205 -2 (21mm)	Center Tooth	JCB 2CX/3CX	2.3	62	60	246					20		
531/03205 -3 (22mm)	Center Tooth	JCB 2CX/3CX	2.3	60	59	246					20.5		
531/03206	S/F Side Cutter	JCB 2CX/3CX	4.5	170	90	375					20		
531/03207	S/F Side Cutter	JCB 2CX/3CX	4.5	170	90	375					20		

531/03208	D/F Side Cutter	JCB 2CX/3CX	5/5.3	165	90	375					20		
531/03209	D/F Side Cutter	JCB 2CX/3CX	5/5.3	165	90	375					20		