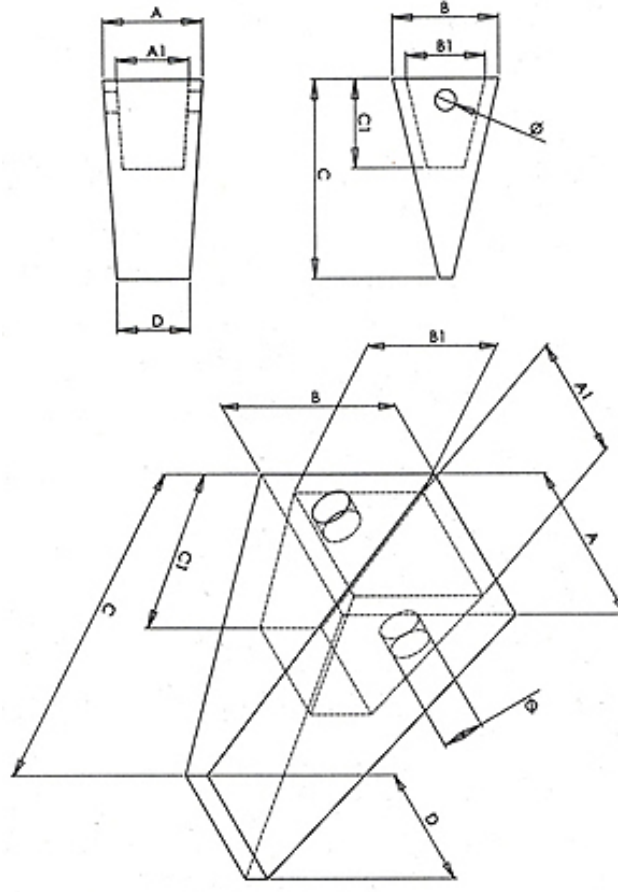


Drawing : Adapter(mm)



Drawing : Tooth (mm)

P/N	TYPE	Model	U/W KG	A /mm	B/mm	C/mm	D/mm	A1/mm	B1/mm	C1/mm	holes	Stock qty	Picture
JD23	Tooth	JOHN DEERE	1.75	66	69	150	45	45	50	74	12.5		