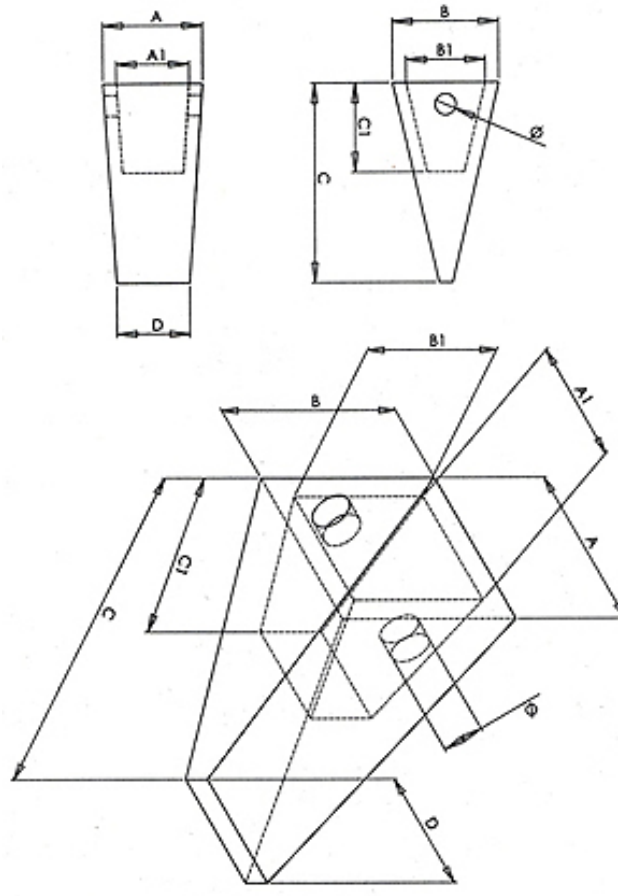


Drawing : Adapter(mm)



Drawing : Tooth (mm)

P/N	TYPE	Model	U/W KG	A /mm	B/mm	C/mm	D/mm	A1/mm	B1/mm	C1/mm	holes	Stock qty	Picture
TF-23	Tooth	TATA	1.8	73	67	150	44	38	45	73	10.5		